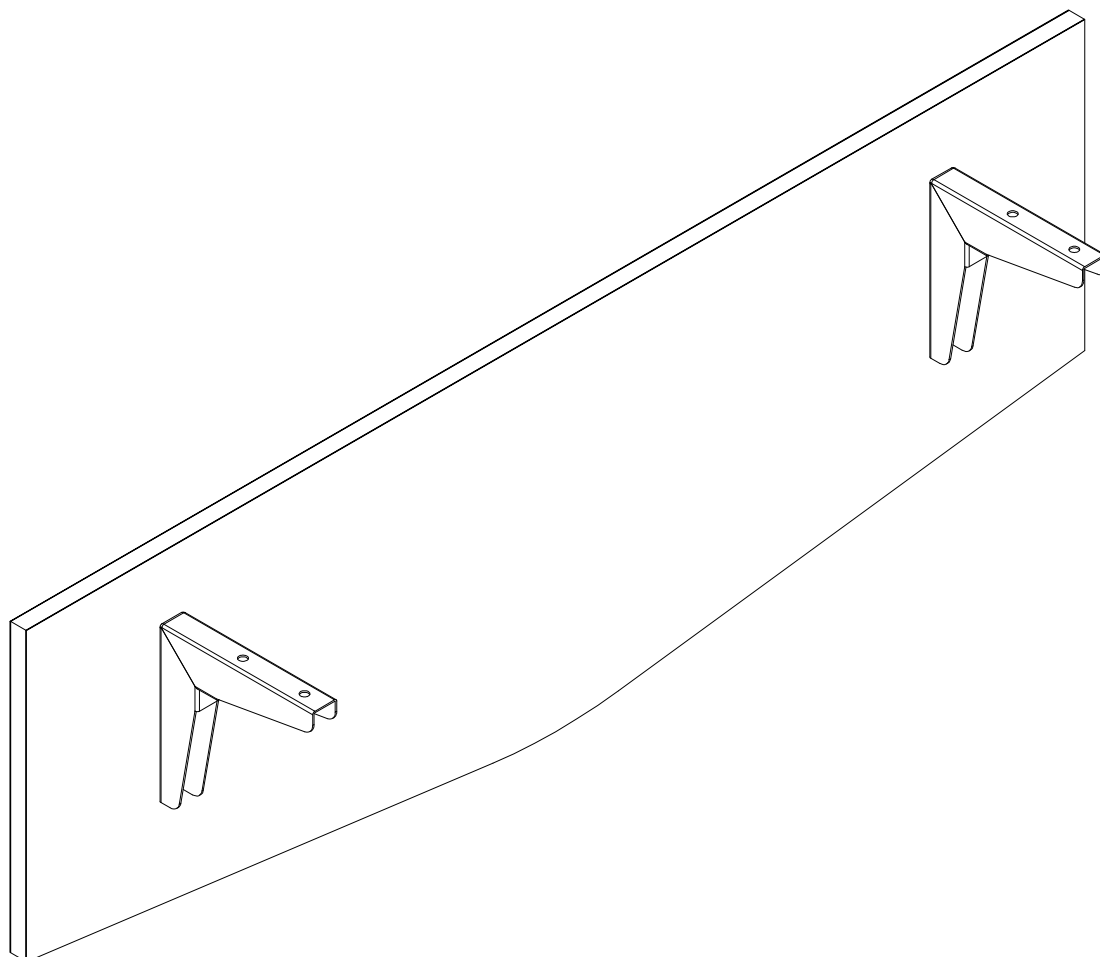
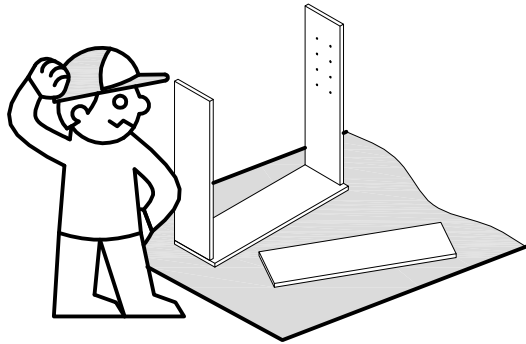
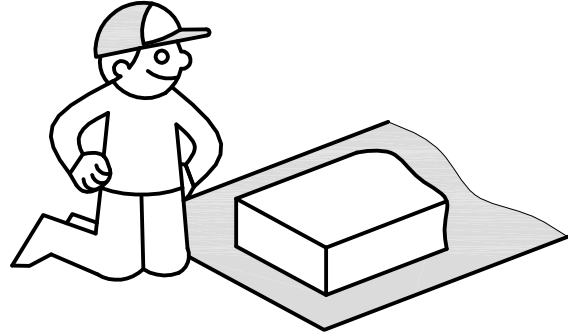
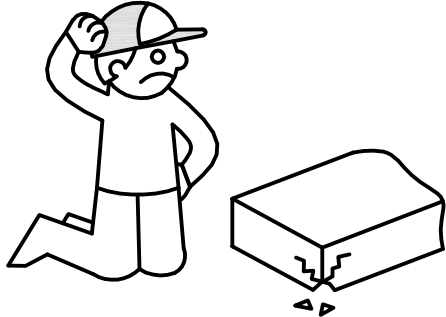
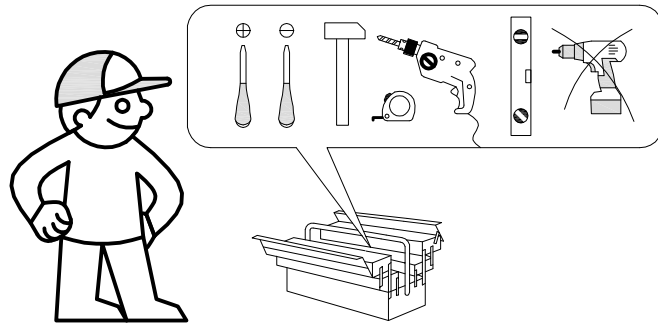
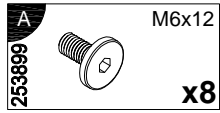


**Кабинет руководителя  
Everprof Апекс**

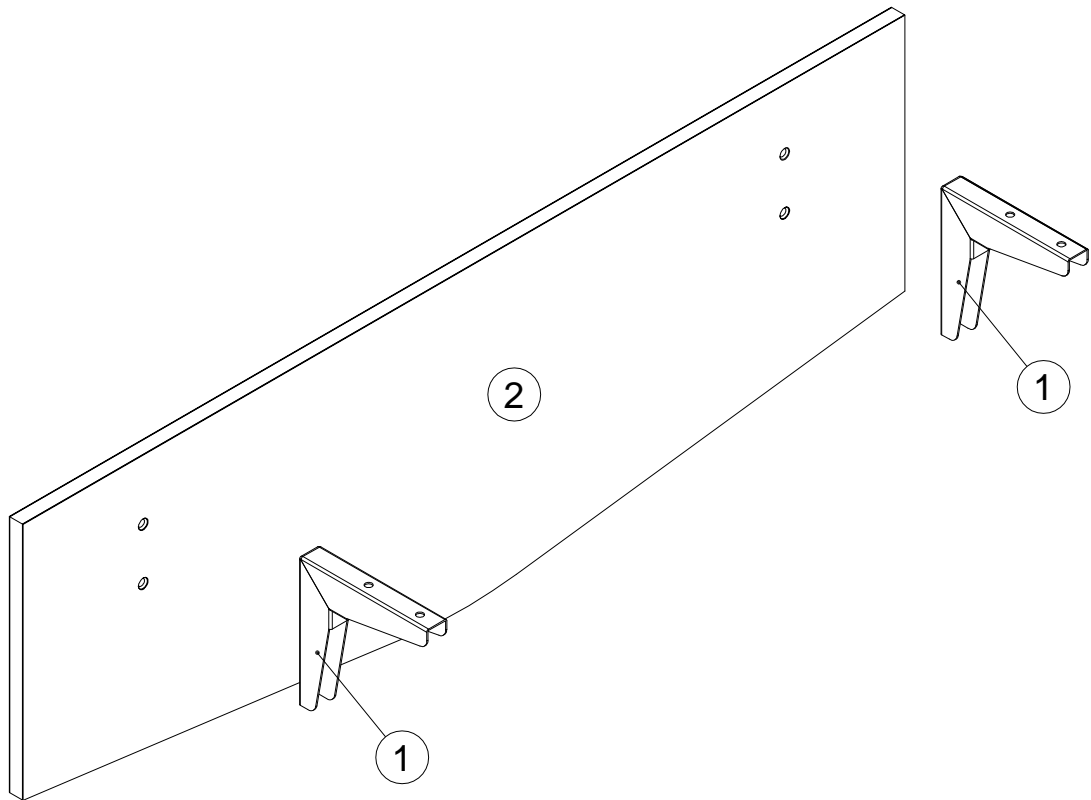




0  
10  
20  
30  
40  
50  
60  
70  
80  
90  
100

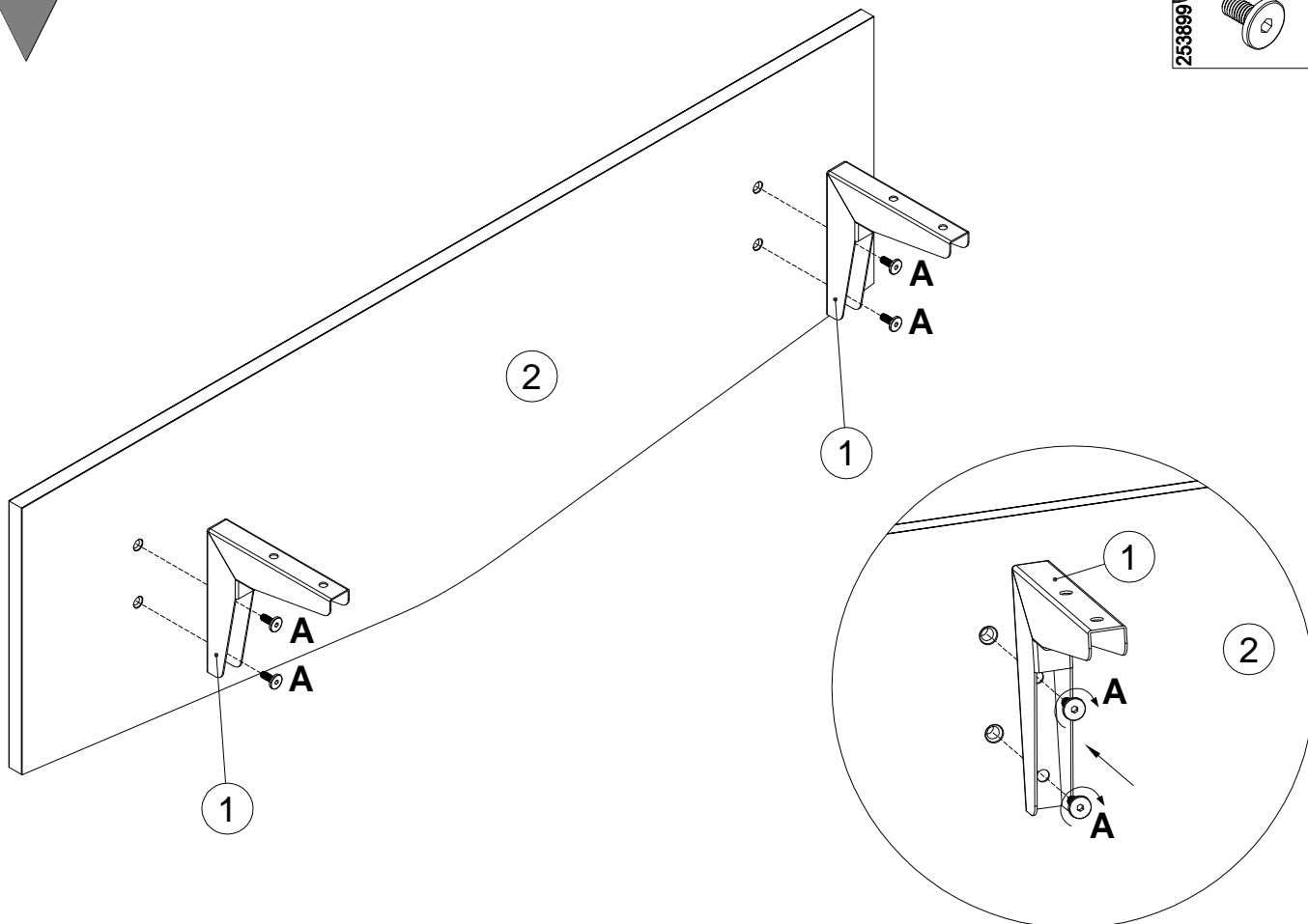


| N | LxBxH (mm)  | Qty | ✓ |
|---|-------------|-----|---|
| 1 | 160x160x25  | 2   |   |
| 2 | 1100x366x17 | 1   |   |



1

A  
253899 M6x12  
x4



2

A  
253899 M6x12  
x4

