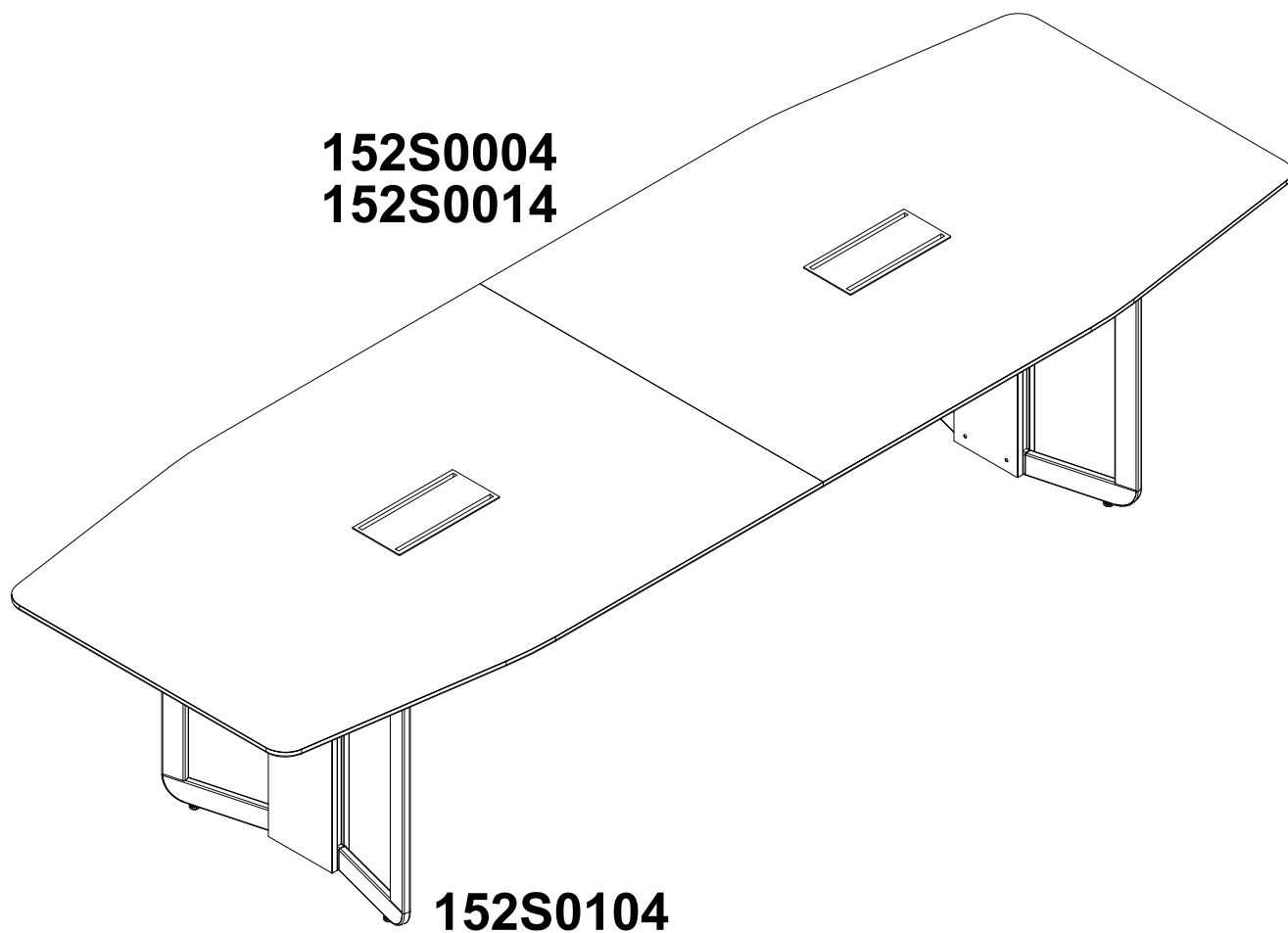
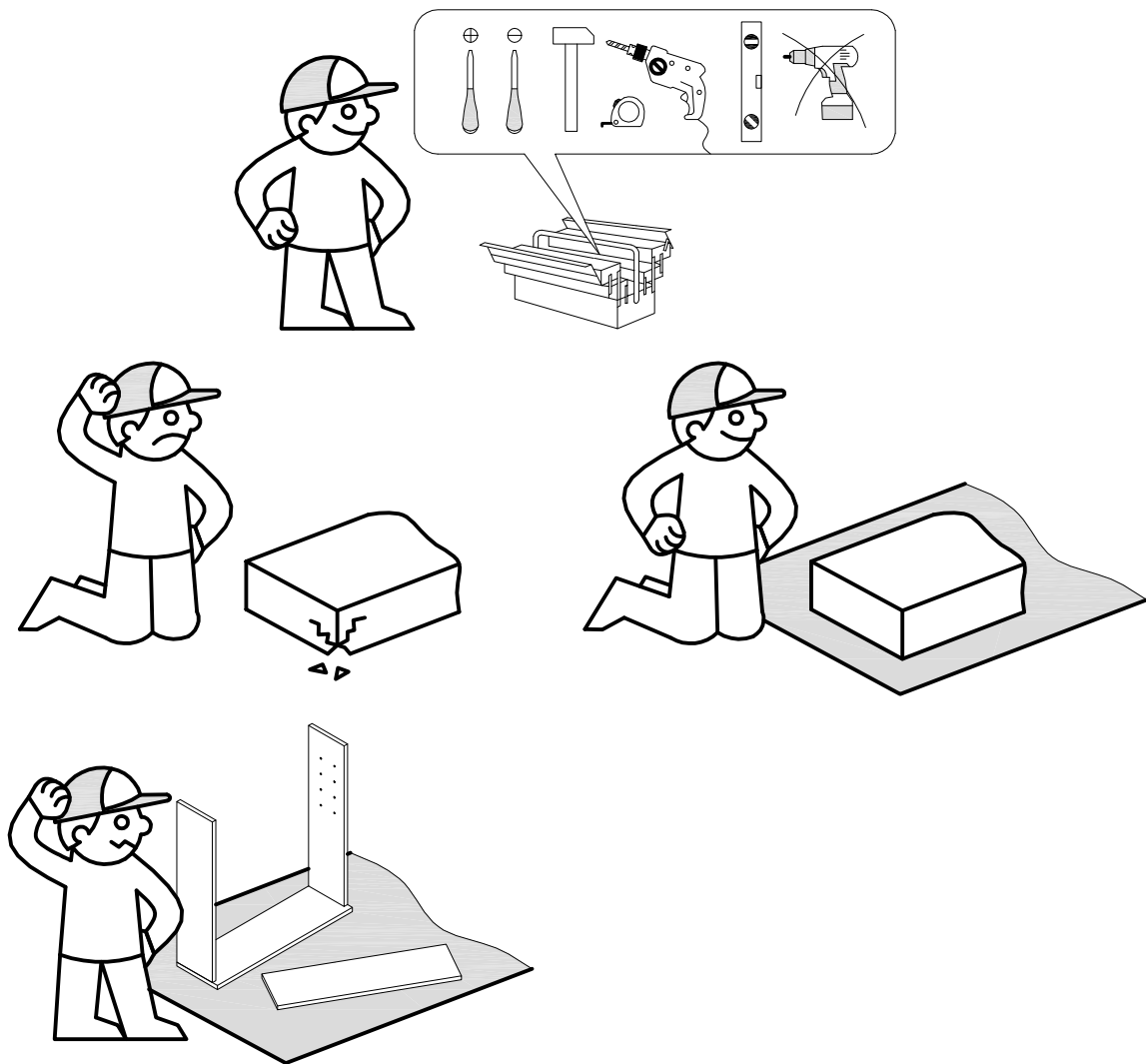
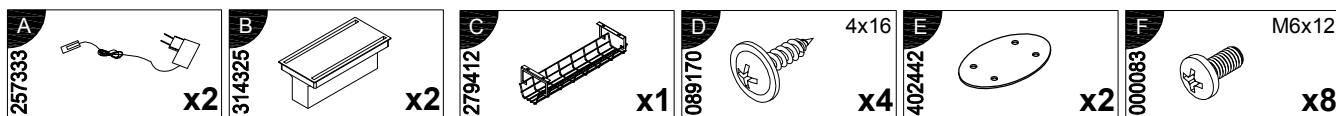


**Кабинет руководителя**  
**Everprof Апекс**

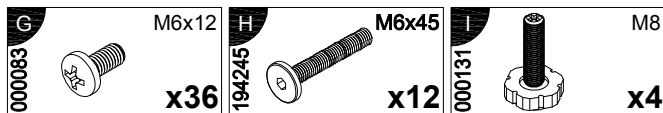




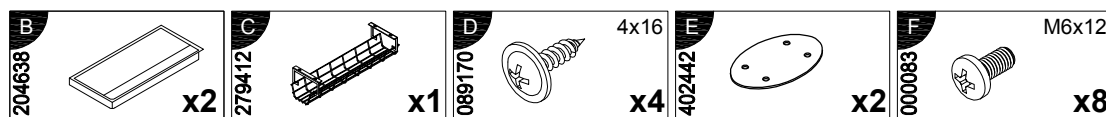
# 152S0004



# 152S0104



# 152S0014



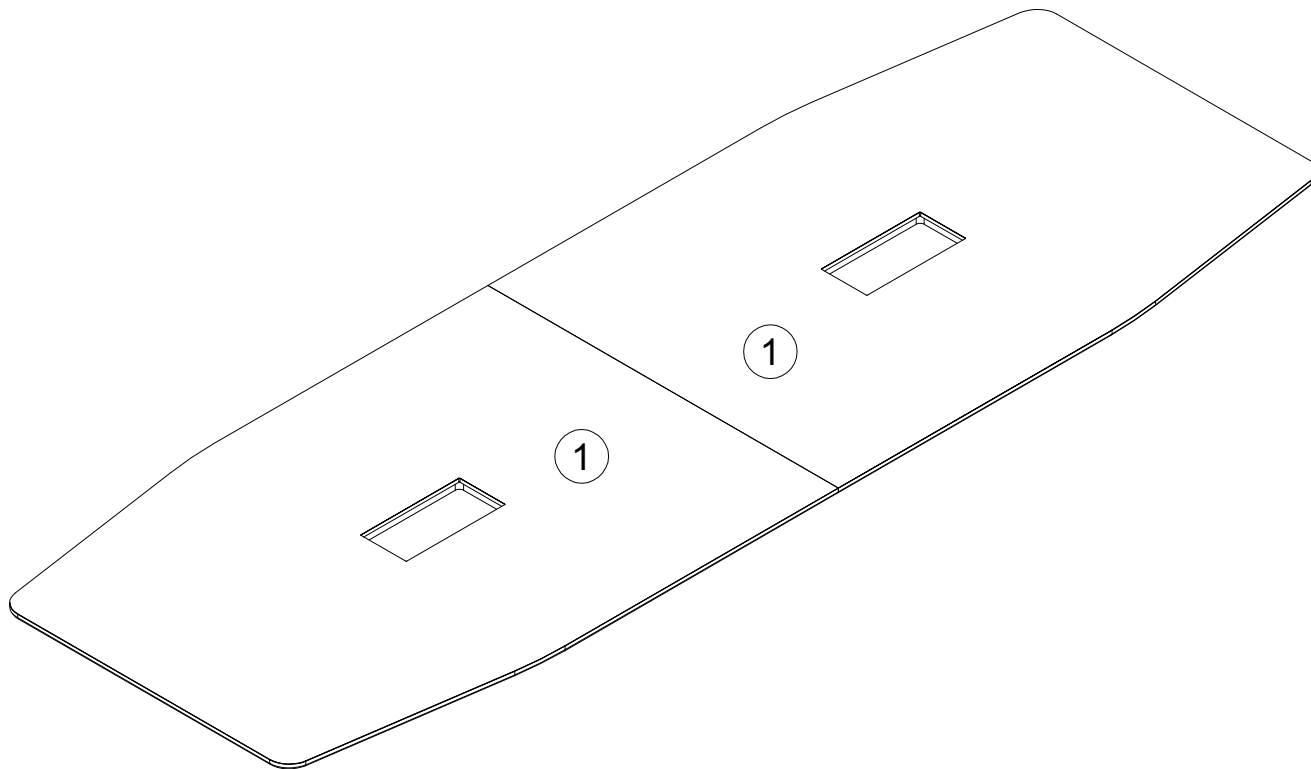
## 152S0004/152S0014

N	LxBxH (mm)	Qty	✓
1	1600x1080x30	2	

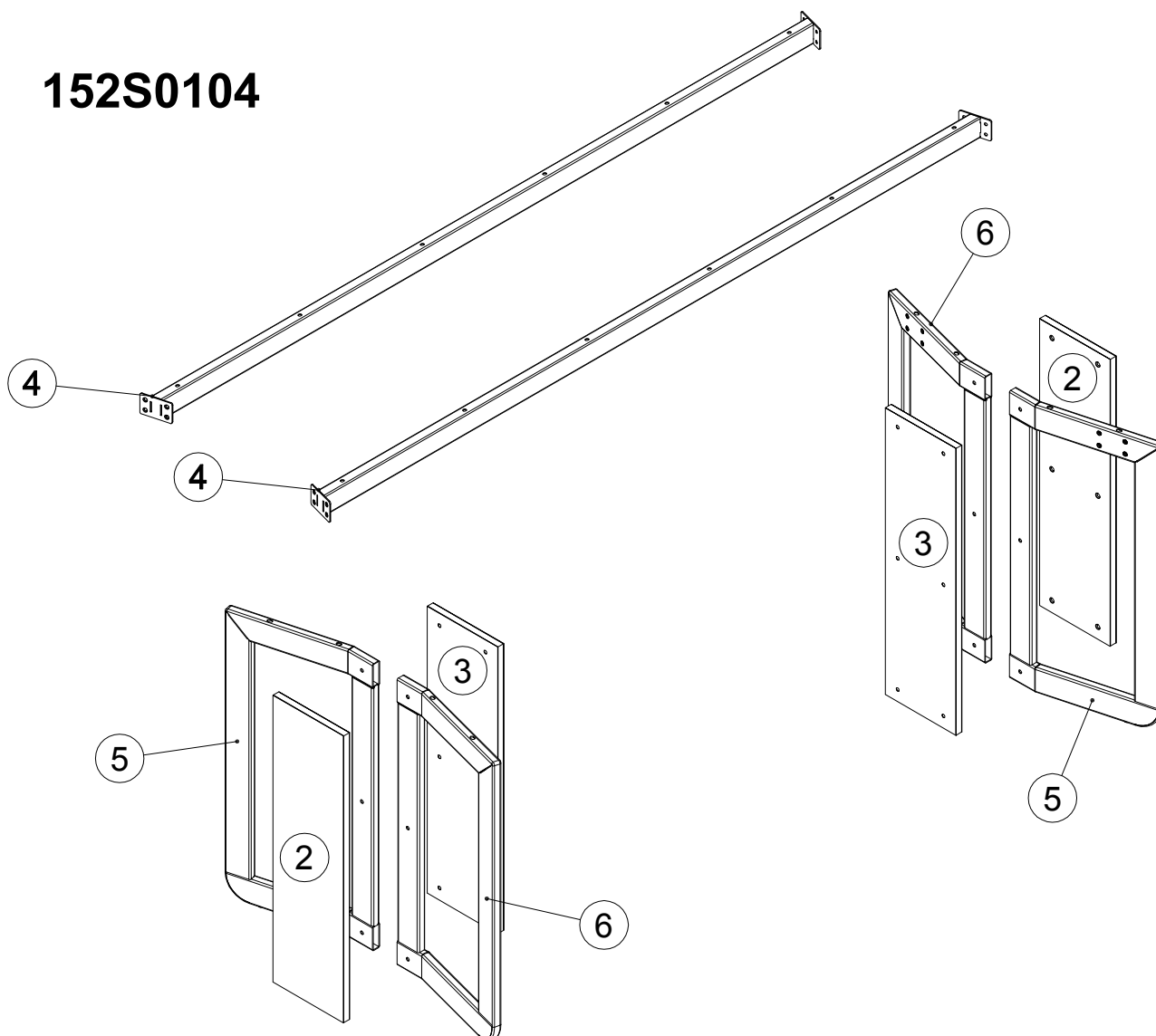
## 152S0104

N	LxBxH (mm)	Qty	✓
2	704x200x17	2	
3	704x200x17	2	
4	2252x88x60	2	
5	704x358x38	2	
6	704x358x38	2	

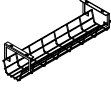



# 152S0004/152S0014

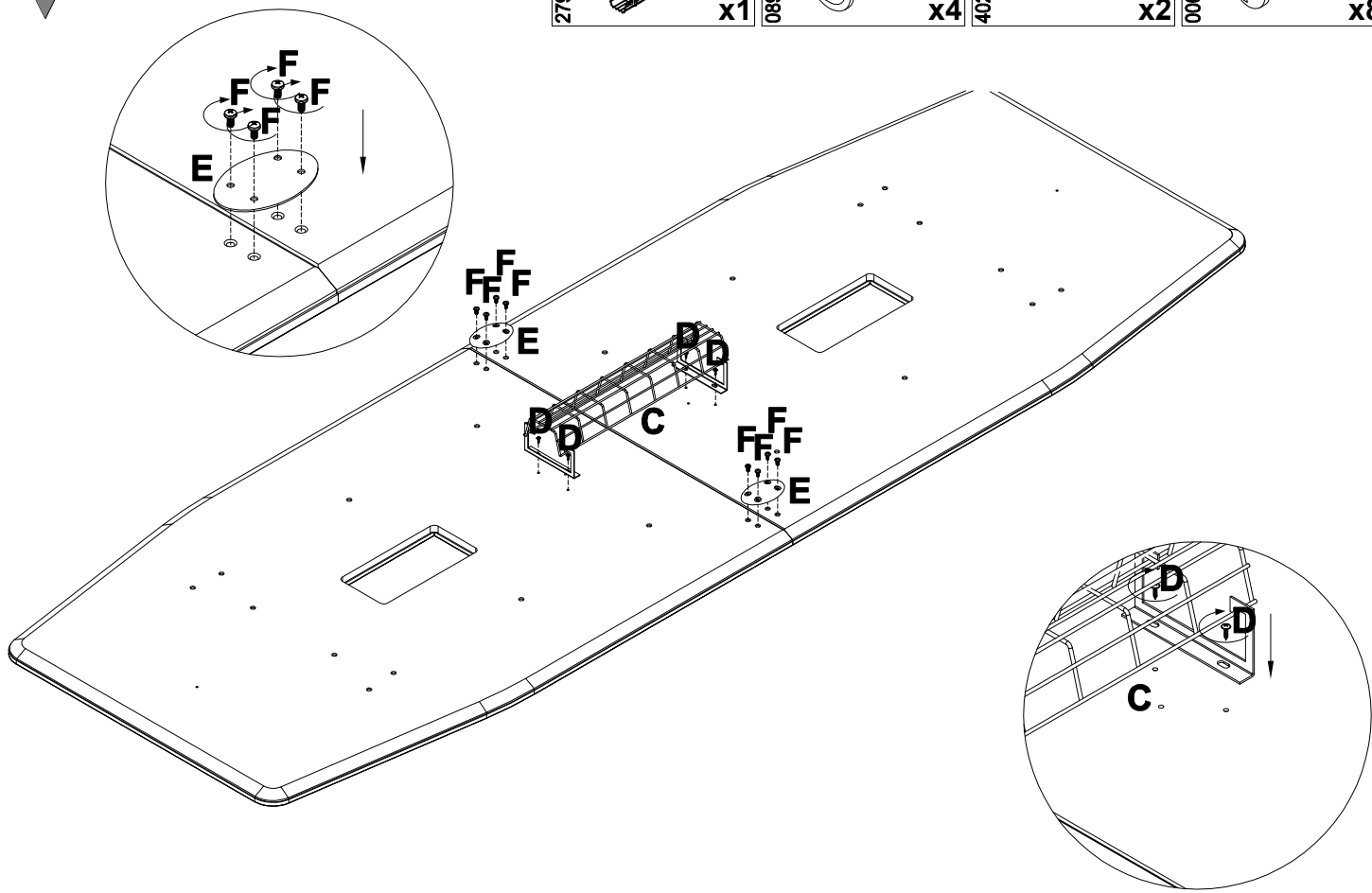


# 152S0104

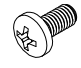


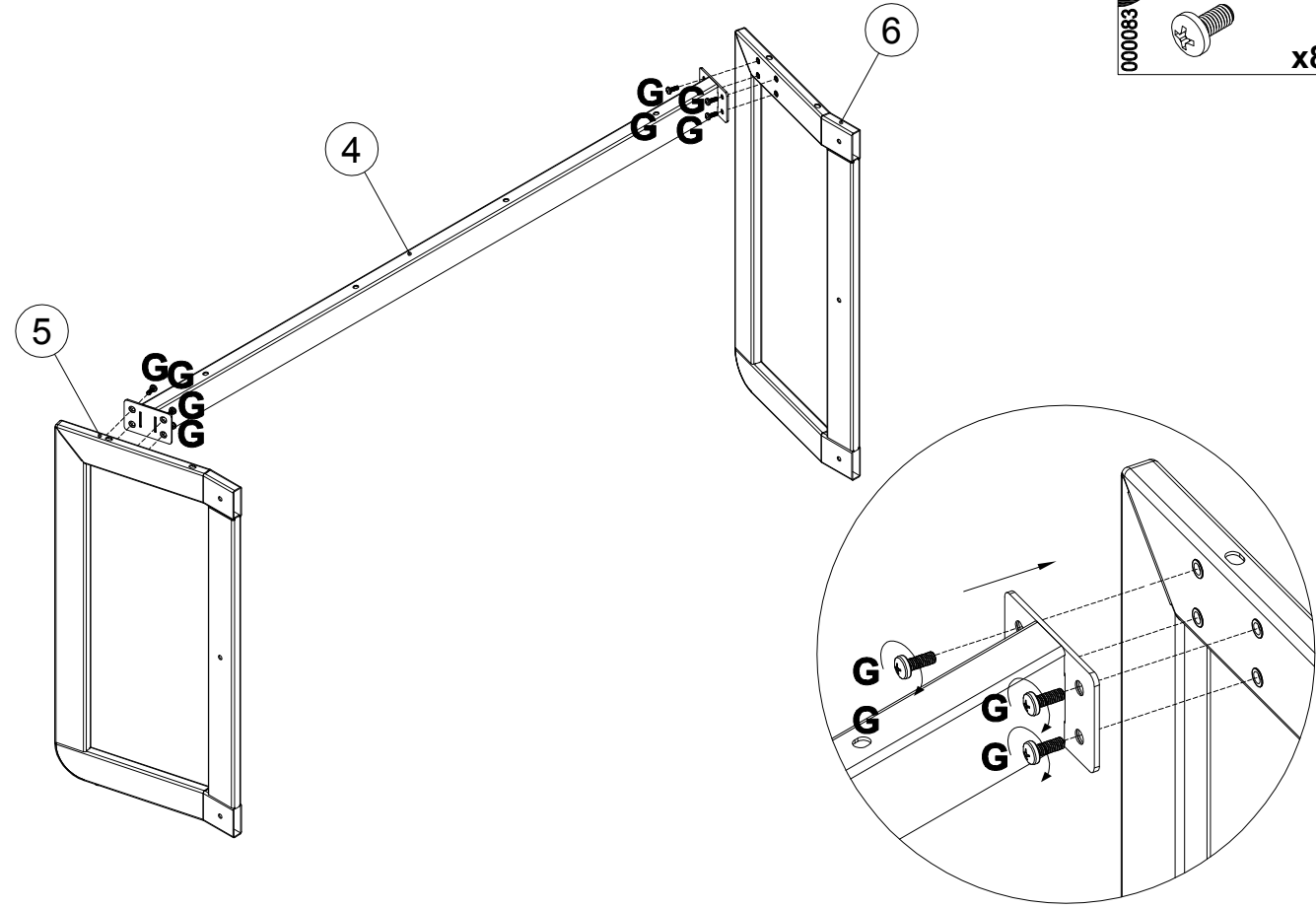
1

- |                    |   |                    |   |                    |   |                    |  |
|--------------------|---|--------------------|---|--------------------|---|--------------------|--|
| <b>C</b><br>279412 | <br><b>x1</b> | <b>D</b><br>089170 | <br><b>4x16</b><br><b>x4</b> | <b>F</b><br>402442 | <br><b>x2</b> | <b>F</b><br>000083 | <br><b>M6x12</b><br><b>x8</b> |
|--------------------|---|--------------------|---|--------------------|---|--------------------|--|



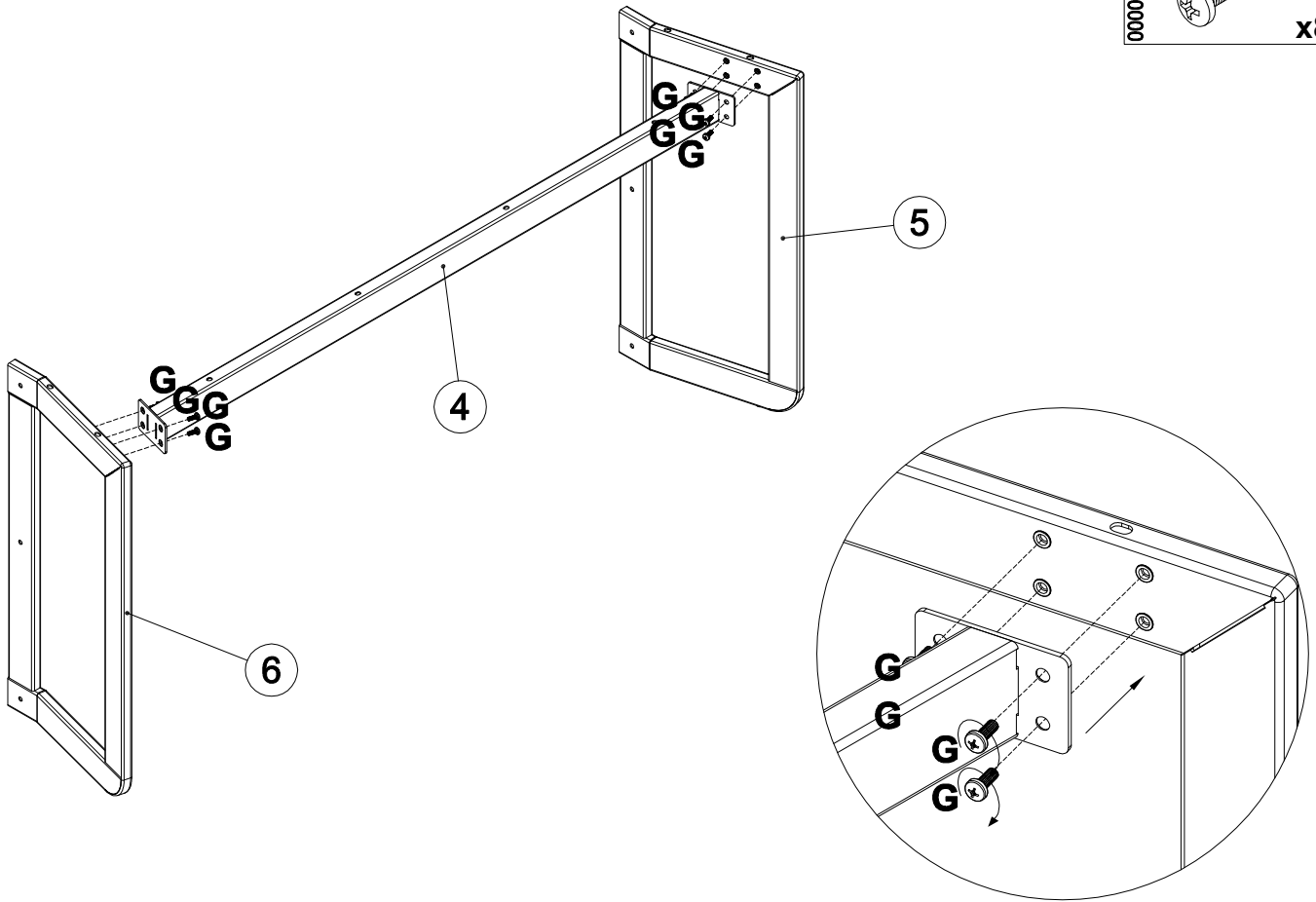
2

- |                    |  |
|--------------------|--|
| <b>G</b><br>000083 | <br><b>M6x12</b><br><b>x8</b> |
|--------------------|--|



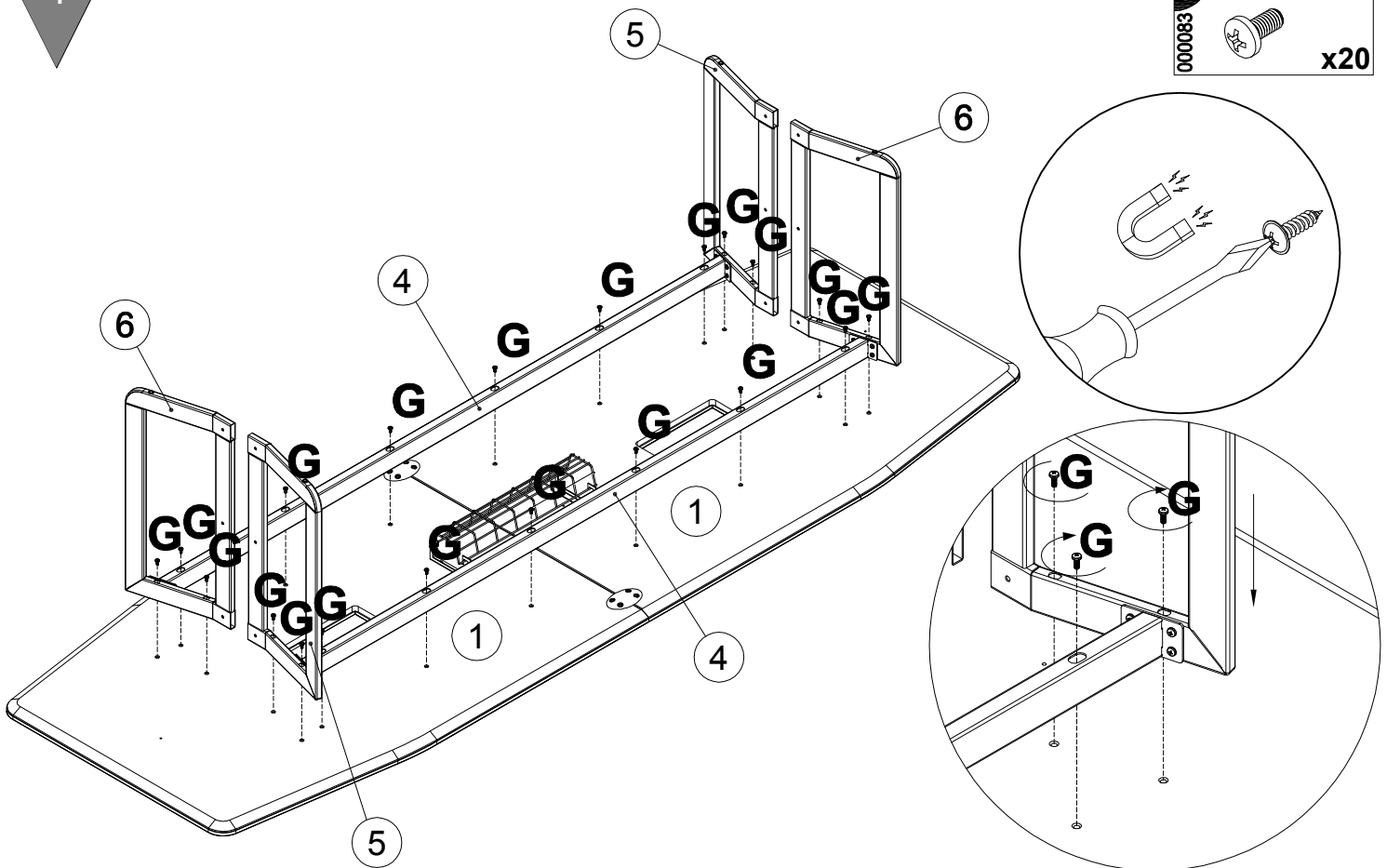
3

000083 G M6x12 x8

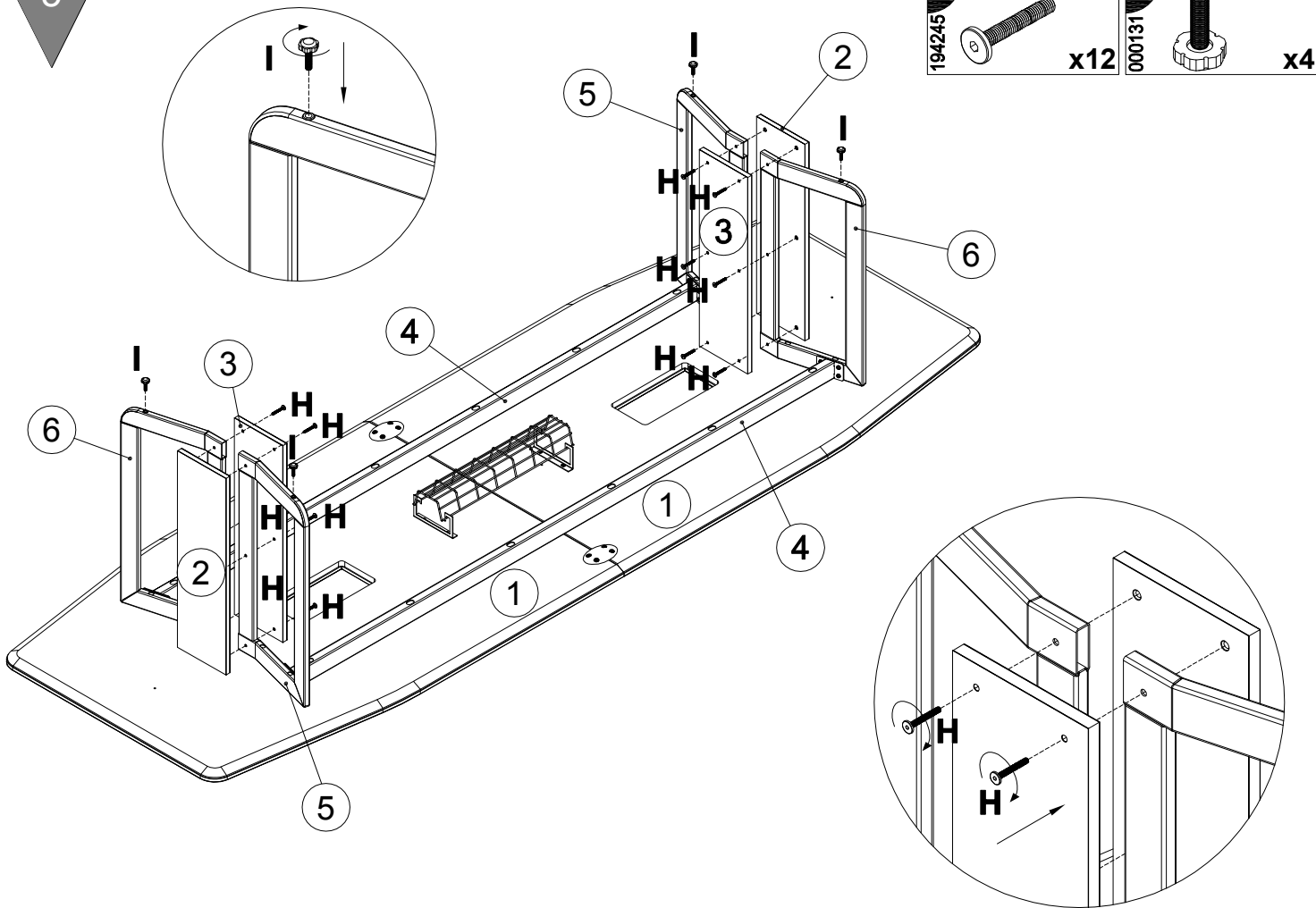


4

000083 G M6x12 x20



5



6

